

Mini Twister

COR20310



Item no. COR203101-1101

General Product Information

Dimensions LxWxH	125x125x225 cm
Age group	3+
Play capacity (users)	7
Colour options	



The Mini Twister's vertical rope attracts children to play, rotate and climb to the top, and the fun of rotating makes them return for more again and again. The Twister provides play for children of different ages encouraging social play across different age groups. When climbing to the top, down and around, pushing and pulling the twister and then jumping off,

children develop their motor skills, balance, muscle strength and bone density. The cooperation and negotiation of who does what to spin the twister net trains social-emotional skills such as turn-taking, tolerance and empathy. This is a playful way to train important life skills.

Mini Twister

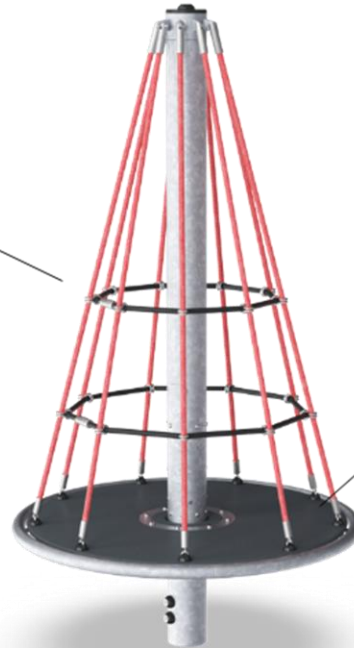
COR20310



Rotation

Physical: pushing or pulling it into motion, children use their muscle strength and strengthen their cardio. The rotation develops the sense of balance and space when enjoying the ride.

Social-emotional: listening and negotiating how slow or fast to go, children develop their empathy and cooperation skills.



Spacious platform

Physical: Supports varied body positions: seated, lying, standing and training balance while doing so. Balance training supports children in navigating the world confidently, especially for children with sensory challenges.

Social-emotional: Rotation is one of the 6 thrill-factors that increase retention in play for older children.

Mini Twister

COR20310



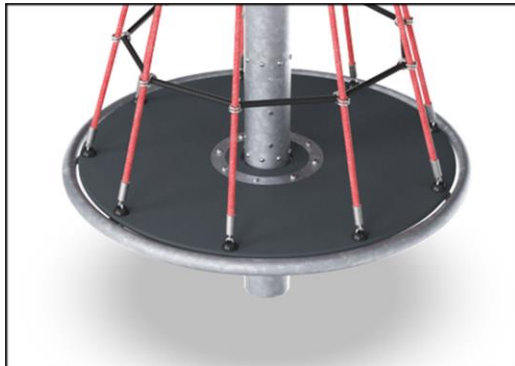
Corocord ropes with 19mm diameter or more are special 'Hercules' - type with galvanised six-stranded steel wires. Each strand is tightly wrapped with PES yarn, which is melted onto each individual strand. The ropes are highly wear-and vandalism-resistant and can be replaced at site if needed.



Corocord 'S' clamps are used as universal connections in Corocord products. 8mm stainless steel rods with rounded edges are pressed around the ropes with a special hydraulic press, making them the ideal connector: safe, durable and vandalism-proof, all while allowing the typical movement of rope play structures.



Heavy duty engineered bearing system with single row deep groove ball bearings with rubber seals. The fully closed bearing construction is lifetime lubricated and maintenance free. The Bearing system has an integrated drag brake according to global safety standards.



All decks are supported by a unique steel construction with multiple deck supports and fixations. The HPL decks with a thickness of 17.8mm have a very high wearing strength and feature a unique KOMPAN non skid surface texture.



The steel posts are hot dip galvanised inside and outside with lead free zinc. The galvanisation has excellent corrosion resistance in outside environments and requires low maintenance.

Item no. COR203101-1101

Installation Information

Max. fall height	125 cm
Safety surfacing area	21,6 m ²
Number of installers	2
Total installation time	5,3
Excavation volume	1,10 m ³
Concrete volume	0,70 m ³
Footing depth (standard)	110 cm
Shipment weight	328 kg
Anchoring options	

Warranty Information

Hot dip galvanised steel	Lifetime
HPL decks	15 years
Corocord rope	10 years
Movable parts	2 years
Spare parts guaranteed	10 years





Cradle to Gate A1-A3	Total CO ₂ emission	CO ₂ e/kg	Recycled materials
	kg CO ₂ e	kg CO ₂ e/kg	%
COR203101-1101	534,90	2,67	40,90

The overall framework applied for these factors is the Environmental Product Declaration (EPD), which quantifies "environmental information on the life cycle of a product and enable comparisons between products fulfilling the same function" (ISO, 2006). This follows the structure and applies a Life-Cycle Assessment approach to the entire Product stage from raw material through manufacturing (A1-A3))

Kompan A/S
 C.F. Tietgens Boulevard 32C
 DK-5220 Odense SØ
 Denmark



Validation of CO₂ calculation of: Corocord



Data version no. 2021-09-27

The CO₂ calculation and data are in compliance with the principles of a carbon footprint impact according to the GHG protocol (Greenhouse Gas Protocol), Scope 3, cradle to gate related to all individual components in the product category: "Corocord" represented by item no.: COR314011-1101.

(Scope 3 emissions include emission sources in the upstream and downstream value chain).

Date: 15. October 2021 | Valid until: 15. October 2023

Validated by:



Bente Hviid, Senior Consultant



Peter Bendtsen, Senior Consultant

Validation based on report: Validation of CO₂ calculation of 8 categories of Kompan product line, version 1.0, prepared by: Bureau Veritas HSE, Denmark: Bente Hviid and Peter Bendtsen.

Publication date: 15. October 2021

By Bureau Veritas HSE
 www.bureauveritas.dk
 +45 7731 1000

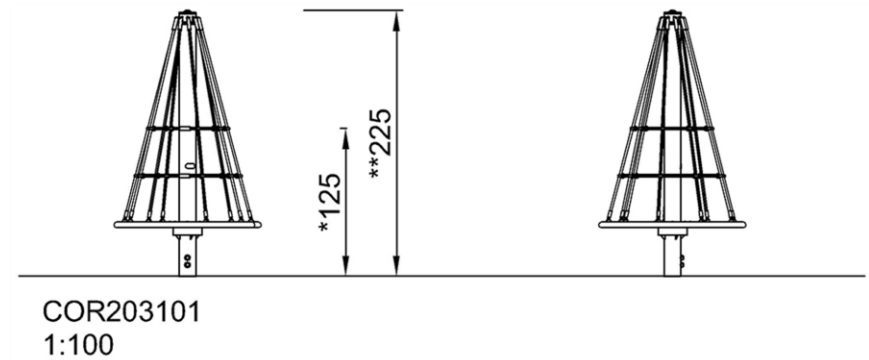
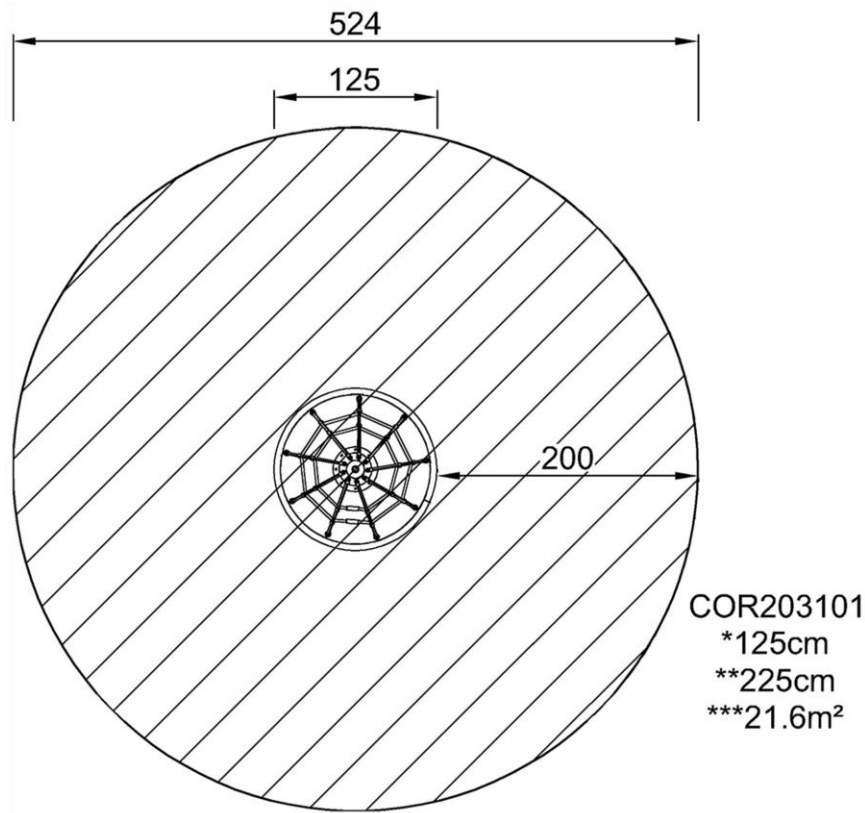


Mini Twister

COR20310

* Max fall height | ** Total height | *** Safety surfacing area

* Max fall height | ** Total height



[Click to see 1:100 ratio TOP VIEW](#)

[Click to see 1:100 ratio SIDE VIEW](#)