

# Pull Down

FAZ602



Item no.	
General Product Information	
Dimensions LxWxH	190x116x214 cm
Age group	13+
Capacity (users)	1
Colour options	

With adjustable load and multi-functional handles, the machine facilitates individually adapted exercises that strengthen shoulder adductor, shoulder extensor and elbow flexor muscles in a vertical downward movement.

The strength machines and benches allow for simple, safe, and effective strength training for

all major muscle groups. This increases daily functional capacity, especially for the elderly, sports performance, aesthetic appearance, and metabolic fitness. The 80kg weight stack is fully covered and can be adjusted in 16 steps of 5 kg by a smart and patented handle. Making the product very easy to train on and completely safe to be in the outdoors!

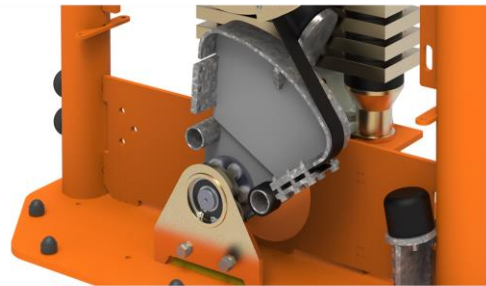


# Pull Down

FAZ602



The cover protects all the moving parts from vandalism and entrapments. The cover is made of 5mm rotomolded LLDPE, Linear low-density polyethylene, with excellent impact strength and usable within a large temperature span.



The resistance unit and all mechanical stops are hidden in the fully closed cabinet. As a result, entrapment is not possible, making it extremely safe to use and providing protection against the elements. The products are EN 16630 certified and comply with the ASTM F3101 for unsupervised outdoor fitness equipment.



The ergonomically shaped handles have different grip areas for adaptable training, allowing people from 140 – 205 cm tall, to perform the exercise ergonomically correctly and at the same time allowing multiple different exercises.

The handles are Aluminum cast and have a diameter of  $\varnothing$  33mm. The Grip Powdercoating, used on the support handle, is highly durable against wear and tear, offers isolation, and simultaneous gripping users on outstanding grip.



The seat is made of Polyurethane Rubber and has a steel insert plate that is electro-galvanized. The steel plate connects the seat to the frame. This construction makes the seat extremely durable against wear & tear and still very comfortable for a great user experience. The seat is positioned at a height of 46 cm, a comfortable height that makes the transfer from a wheelchair easy.



The 80kg weight stack is fully covered and can be adjusted with a rotatable handle in 16 steps of 5 kg. The smart selector system is intuitive in use and patent-pending. No pins that get lost or get stuck, you simply pull and rotate the handle to change to select a different weight.



The input shaft is  $\varnothing$ 101,3 x 2,9mm S355 Hot Dip Galvanized and Powder-coated steel. The bearing house is Cast Aluminum (EN AB-44100 / EN AB-AISI12(a)) with self-aligning sealed ball bearings. An extremely strong and durable construction.

Item no.	
Installation Information	
Max. fall height	0 cm
Safety surfacing area	18,2 m <sup>2</sup>
Number of installers	2
Total installation time	0,0
Excavation volume	
Concrete volume	
Footing depth (standard)	
Shipment weight	
Anchoring options	
Warranty Information	
PUR components	10 years
Hot dip galvanised steel	Lifetime
Stainless steel components	Lifetime
Movable parts	2 years
Spare parts guaranteed	10 years





Cradle to Gate A1-A3	Total CO <sub>2</sub> emission	CO <sub>2</sub> e/kg	Recycled materials
	kg CO <sub>2</sub> e	kg CO <sub>2</sub> e/kg	%

The overall framework applied for these factors is the Environmental Product Declaration (EPD), which quantifies "environmental information on the life cycle of a product and enable comparisons between products fulfilling the same function" (ISO, 2006). This follows the structure and applies a Life-Cycle Assessment approach to the entire Product stage from raw material through manufacturing (A1-A3))

**Kompan A/S**  
 C.F. Tietgens Boulevard 32C  
 DK-5220 Odense SØ  
 Denmark

Validation of  
 CO<sub>2</sub> calculation  
 BUREAU VERITAS  
 HSE Denmark AIS



### Validation of CO<sub>2</sub> calculation of play module item no. PCM200309-0010.



Data version no. 2021-01-11

The CO<sub>2</sub> calculation and data are in compliance with the principles of a carbon footprint impact according to the GHG protocol (Greenhouse Gas Protocol), Scope 3, cradle to gate related to all individual components in the play module item no. PCM200309-0010. (Scope 3 emissions include emission sources in the upstream and downstream value chain).

**Date: 25. January 2021**  
**Validated by:**

Bente Nesting, Senior Consultant

Peter Bendtsen, Senior Consultant

Validation based on report: Validation of CO<sub>2</sub> calculation of play module – Kompan, version 1.0, prepared by: Bureau Veritas HSE, Denmark: Bente Hviid Nesting and Peter Bendtsen

**Publication date: 25. January 2021**

By Bureau Veritas HSE  
 www.bureauveritas.dk  
 +45 7731 1000

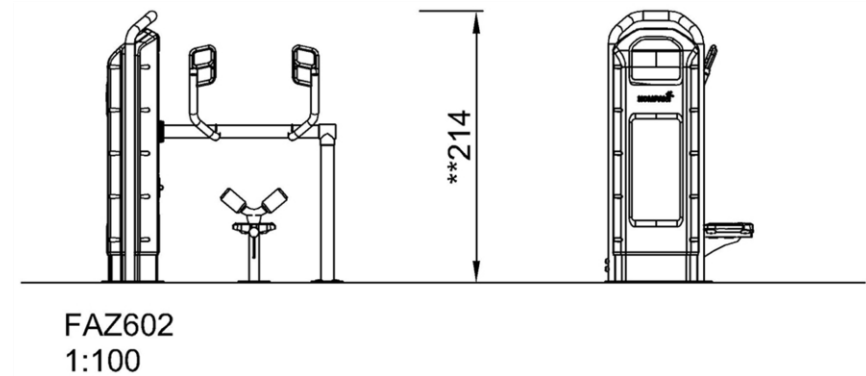
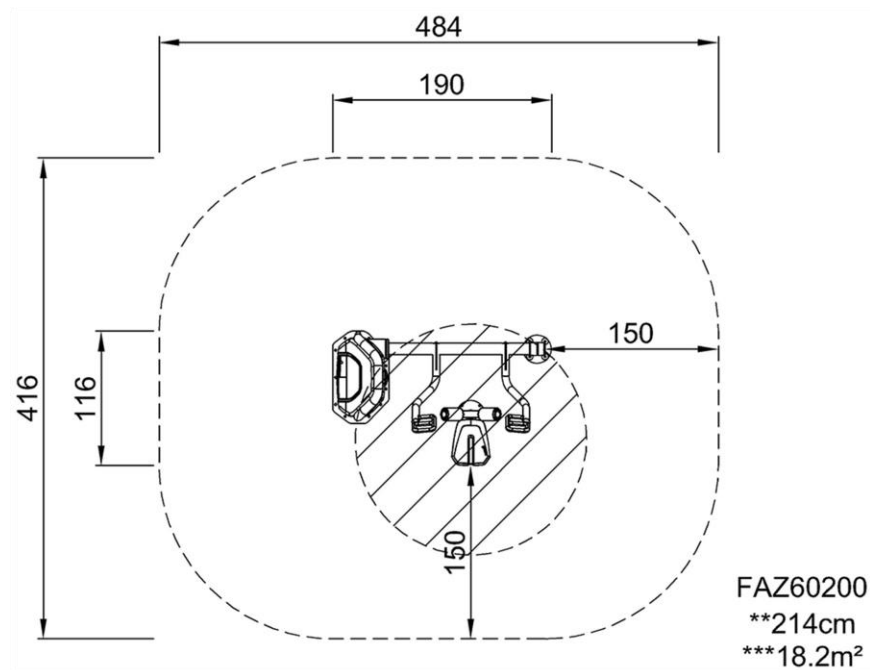


# Pull Down

FAZ602

\* Max fall height | \*\* Total height | \*\*\* Safety surfacing area

\* Max fall height | \*\* Total height



[Click to see 1:100 ratio TOP VIEW](#)

[Click to see 1:100 ratio SIDE VIEW](#)